

Retractable Banner Stand (Classic)



1 Banner stand base



2 Pole



3 Top trim



1



1

90°

2

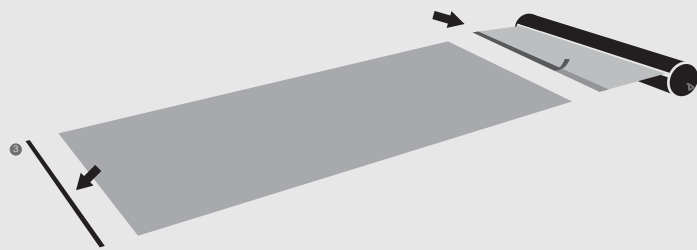
2

2

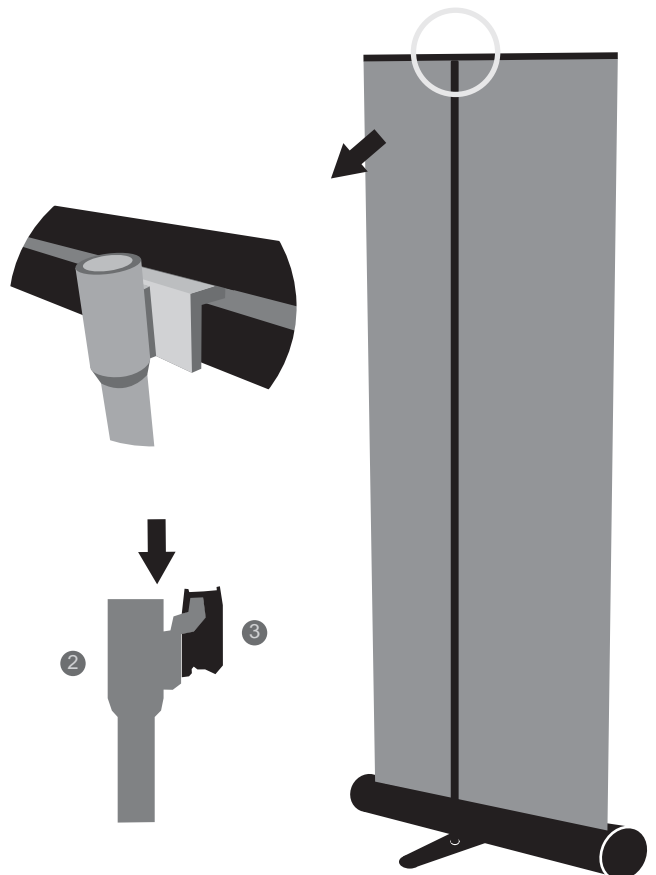
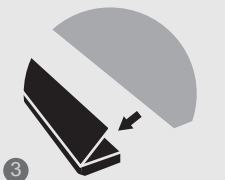


Remove the pole from the banner stand base. Connect pole section into a long pole. Insert pole into the hole on the base.

Remove the protective cover of adhesive tape on the leader paper. Stick the graphic with picture side facing upsides and press it firmly. Ensure the graphic is securely attached. Stick extra adhesive tape over the joints on the both sides to enforce.



Remove the protective cover of adhesive tape on the top trim. Stick the graphic with picture side facing upsides and press it firmly. Ensure the graphic is securely attached.



Download an invoice on our website

Please login to our website to download your latest invoice, or contact us for help service@banneraholic.com

Canada
United States
New Zealand
Australia

www.banneraholic.ca/account.html
www.banneraholic.com/account.html
www.banneraholic.co.nz/account.html
www.banneraholic.com.au/account.html